



**AXL47**

**INSTRUCTION MANUAL  
&  
CERTIFICATE OF WARRANTY  
FOR  
REVOLUTION ARMORY**

## **INTRODUCTION TO INDUSTRIES**

For a long time KRC AV Enerji İth. İhr. Geri Dön. San. Tic. Ltd. Şti. has been associated with the firearms industry in best way. The company has been manufacturing and exporting huge amount type of firearms to more than 28 countries ,where has C.I.P , SAAMI and TSE Test procedures by harmonizing the best modern technology and traditional craftsmanship in manufacturing process.

KRC AV Enerji İth. İhr. Geri Dön. San. Tic. Ltd. Şti. has builded the company's main philosophy and distinctive feature on Research&Development from the beginning. This vision provided the company always putting signature to patented systems and inovative designs in Turkish market and International market with a lot of projects.

Use your KIRICI product for many years with high pleasure and feel yourself special by quality of your product!!!

## **GENERAL INFORMATION**

This semiautomatic shotgun (AXL47) uses gas pressure from the discharged shell in a precision, spring-loaded mechanism to eject empty shell, and load a new cartridge into the chamber(each time the trigger pulled). The system reduces recoil and allows the shooter to concentrate on target.

This technologically advanced gas metering system allows you to shot 2 ¾" and 3" shells interchangeably with ammunition of the proper gauge for your shotgun with flawless performance. This and other fine features ensure that your shotgun will be a source of pride and pleasure for many years in forward. For 3 ½" models the metering system allows you to shot heavy 2 ¾" , 3" , 3 ½" shells interchangeably.

### **Safety Switch or Button**

The safety is designed to stop the trigger mechanism. Do not rely on your guns safety. Treat every gun as if it were loaded and ready to fire.

The safety on any gun is a mechanical device ,and it is not intended as a substitute for common sense or safe gun handling .Always keep the muzzle pointed in a safe direction.

## **SERIAL NUMBER OF THE FIREARM**

The serial number is located on various parts of the shotgun. Each serial number is specific to that shotgun and is used for identification and registration. It is recommended that you record your serial number in your manual and keep the information in a secured location.

## **IMPORTANT SAFETY WARNINGS**

Be certain this owner's manual is available for reference and is kept with this firearm if transferred to another party. If the manual is lost or misplaced, contact your "Product Service Center" for a free replacement copy, or download a copy from [www.krcav.com](http://www.krcav.com)

After performing any work on your firearm such as cleaning, adjustments, disassembly, or installation of any accessory, the firearm should be re-checked for proper functioning before firing live ammunition.

Firearms are complicated mechanisms. Any modification, alteration, or improper fitting of parts may result in a dangerous malfunction, damage to the firearm and injury to the shooter and others. The firearm's owner must accept full responsibility for the correct reassembly and functioning of the firearm after any disassembly or replacement of parts.

If you do not understand any of the material in this manual or have any questions, contact your dealer or a qualified gunsmith.

Do not attempt to load or use any firearm until you have read and understood the information contained in its owner's manual. Before handling your firearm, you should learn how it operates and how to maintain it. This includes knowing its basic parts, how the manual safety and other safety features operate, how to safely open and close the action, and how to safely load and unload ammunition from the firearm. Improper use and handling is dangerous and could cause serious injury or death to you or those around you. All users of the firearm must become thoroughly familiar with the instructions in this manual.

As the owner of a firearm, you must undertake the full-time responsibility of safe firearms handling for your own safety and the safety of those around you:

- Keep all firearms and ammunition out of the reach of children.
- Store your firearms and ammunition separately.
- Never store a loaded firearm.
- Never leave a loaded firearm unattended.
- Never transport a loaded firearm in a vehicle.
- Unload your firearm when you have stopped shooting and when you have to climb a tree, fence, cross a slippery surface or have to transport it in a vehicle.
- Do not load your firearm before you are in a place where it is safe to shoot, and keep your finger off the trigger until you are on target and have decided to fire.
- Never shoot at water, rocks or any hard surfaces. Shots may glance off such surfaces and cause injuries.
- Do not use alcohol or drugs before or while handling firearms.
- Do not touch the trigger while the safety button is being engaged or disengaged.

Always point the muzzle of your firearm in a safe direction, regardless of whether the firearm is loaded or unloaded. Always treat every firearm as if it were loaded. Give your firearm to someone with the action open (bolt fully rearward) and safety in the "ON" (SAFE) position, after you verify the firearm is unloaded. Insist on the same procedure when receiving a firearm from someone else. Learn the location of all the safety features of your firearm and how they operate. Wear eye and ear protection when shooting. Shooting without proper ear protection can cause hearing damage. The use of eye protection during any type of shooting is important to protect your eyesight. Due to the heavy recoil of a shotgun, maintain an adequate distance between the rear of the scope (if equipped) and your face at all times. Be certain the scope installation does not interfere with access to, or the proper functioning of the safety.

**!!!WE SPECIFICALLY DISCLAIM ANY RESPONSIBILITY FOR DAMAGE OR INJURY WHATSOEVER OCCURRING IN CONNECTION WITH, OR AS A RESULT OF, THE USE OF FAULTY, OR "REMANUFACTURED," OR HAND-LOADED (RELOADED) AMMUNITION. ADDITIONALLY, WE DISCLAIM ANY RESPONSIBILITY FOR DAMAGE OR INJURY WHICH RESULTS FROM ANY MODIFICATIONS OR CHANGES THAT ARE NOT A PART OF THE FIREARM AS DELIVERED FROM THE FACTORY.**

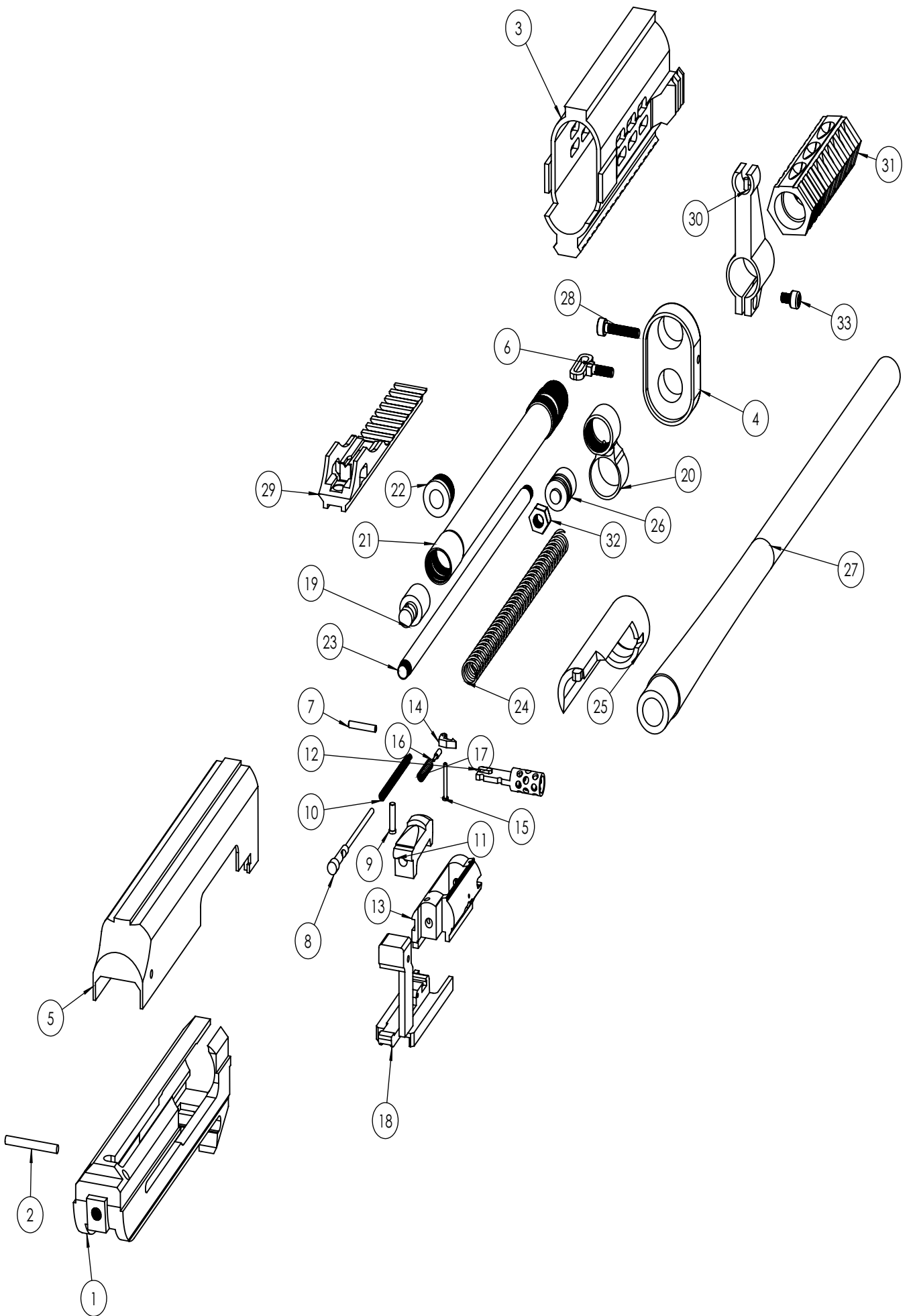
Learn to clean your firearm thoroughly and make certain no oil, grease, or other materials are blocking the barrel. Obstructions of any kind can cause damage to the firearm, and may result in serious personal injury to the shooter and/or others nearby. Practice proper firearm maintenance and safety. Make sure all exposed metal surfaces are coated with a thin film of oil, especially after exposure to damp weather. (See proper section of this manual for cleaning instructions). Do not plug barrel or store in a fabric-lined case which will absorb lubricants from the firearm. Before using after storage, follow complete instructions stated in this manual for familiarization with the firearm. A thorough inspection should be performed before going into the field. Have your firearm periodically checked by a qualified gunsmith. CONGRATULATIONS!!!

You are now the owner of the KIRICI AXL47 shotgun. Your shotgun has an innovative design and is manufactured from high quality materials. With regularly performed maintenance and the use of proper ammunition it will provide you with many years of service.

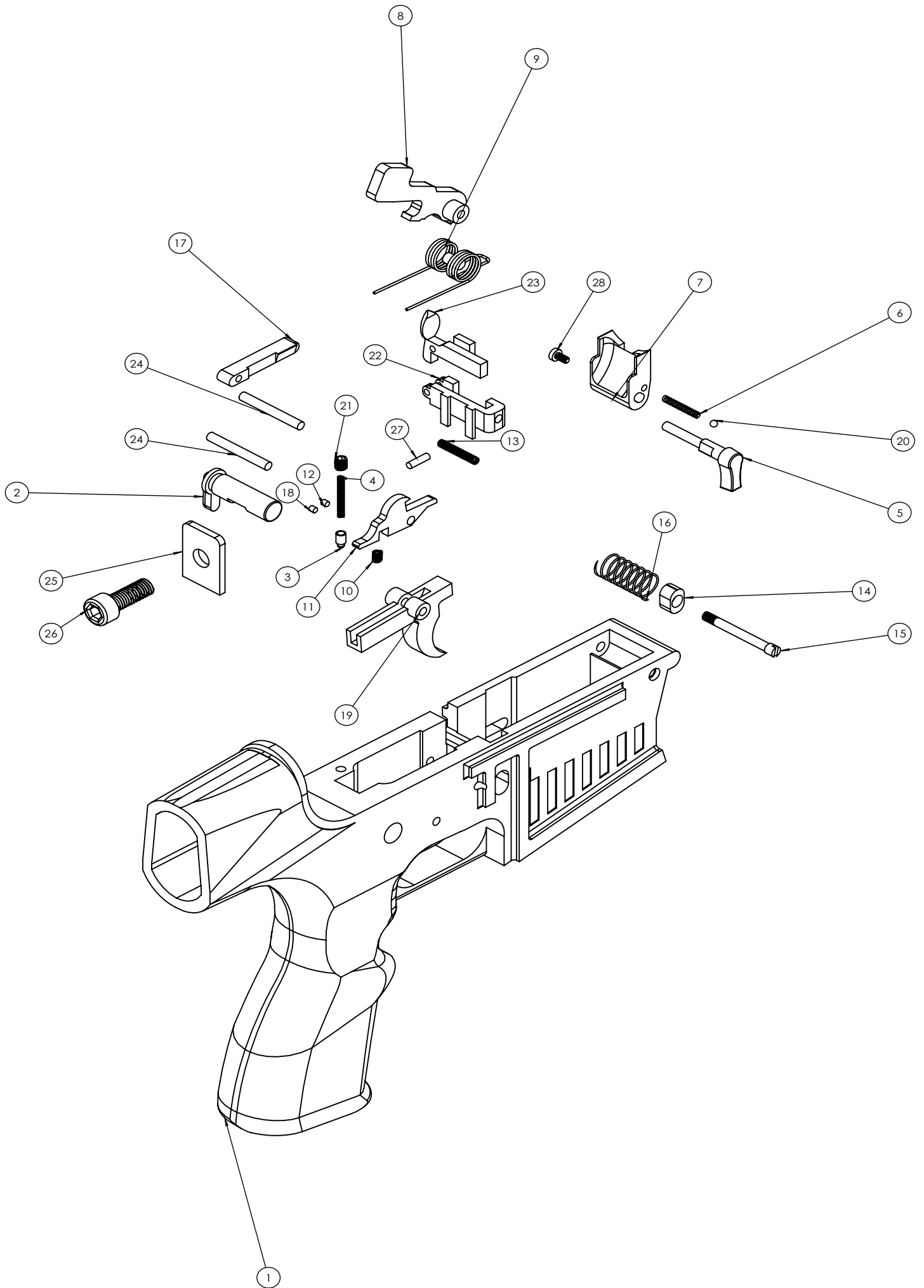
In order to achieve the best performance and reliability from your shotgun, please read and fully understand all of the instructions, safety guidelines, and warnings carefully in this manual. Your quality shotgun is enormously reliable and safe unless it is handled in a careless or irresponsible manner.

REMEMBER: It is imperative that the firearm handler be fully educated and conscious of the importance of executing proper gun safety rules when operating any firearm.

Before using or firing with any live ammunition you should know and fully understand your shotgun's parts, function, and operating mechanisms. So carefully read and fully understand all of the information about the parts and procedures of using the shotgun safely and effectively.

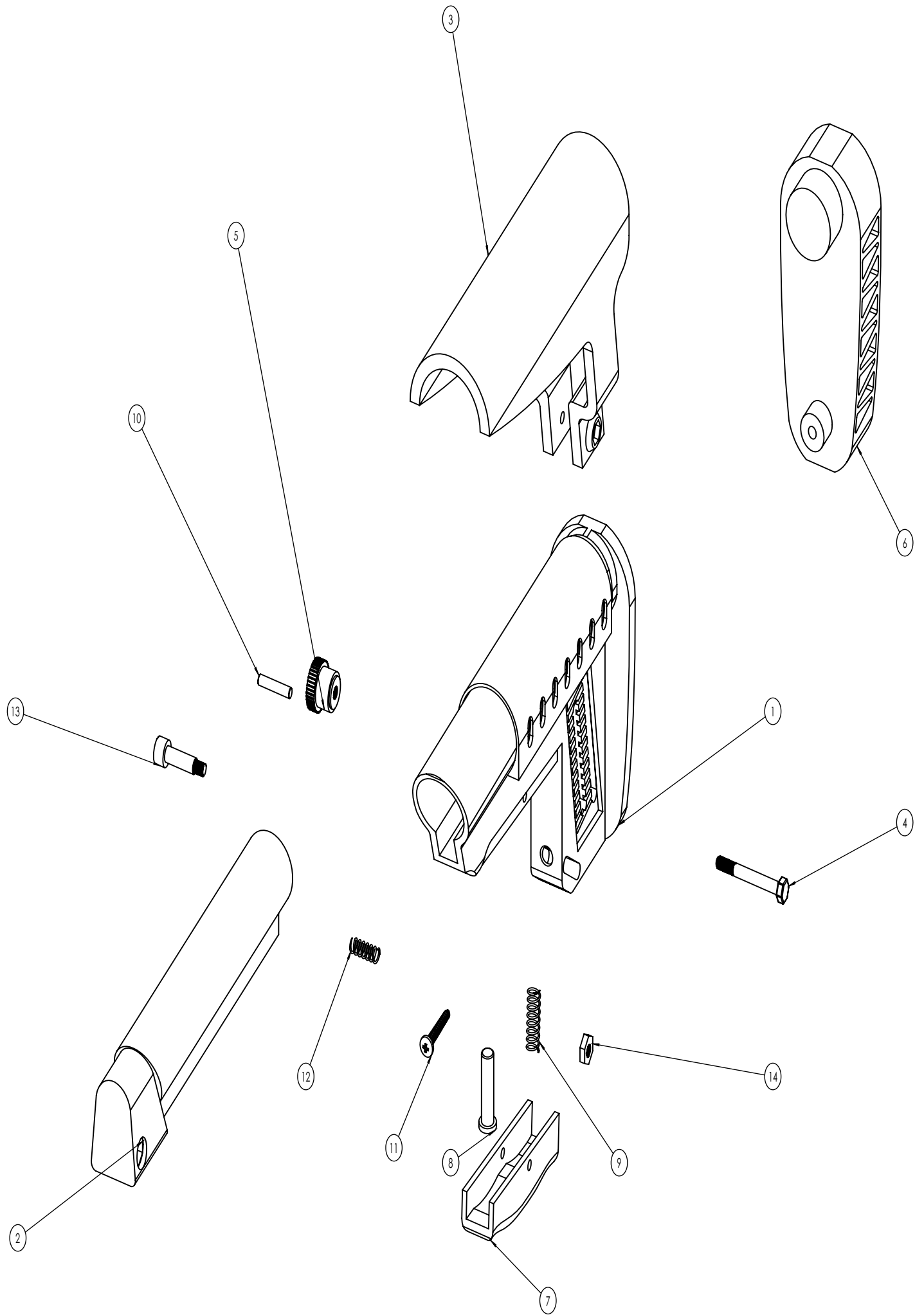


ITEM NO.	DESCRIPTION TR.	DESCRIPTION ENG.	QTY.
1	kasa	UPPER RECEIVER	1
2	4.5 mm üst sac montaj pimi	4.5 MM PIN	1
3	el kundağı	ALUMINIUM HAND GUARD	1
4	el kundağı kapak	HAND GUARD CAP	1
5	kasa üst sacı	UPPER RECEIVER COVER	1
6	kayıklık	SLING SWIVEL	1
7	3,5 yarıkli pim	3.5 PIN	1
8	iğne	FRING PIN	1
9	iğne pimi	FRING PIN RETAINER	1
10	iğne yayı	FRING PIN SPRING	1
11	kilit	BOLT LOCK	1
12	kurma kolu	BOLT HANDLE	1
13	mekanizma	BOLT	1
14	OTOMATİK TIRNAK	EXTRACTOR	1
15	tırnak pimi	EXTRACTOR PIN	1
16	tırnak yay baskı pimi	EXTRACTOR SPRING PIN	1
17	tırnak yayı	EXTRACTOR PIN	1
18	kol	ACTION BAR	1
19	icra mili bağlantısı	OPERATION ROD CONNECTION	1
20	gaz halkası	GAS RINGS	1
21	icra borusu	OPERATION TUBE	1
22	icra borusu kapak	OPERATION TUBE CAP	1
23	icra mili	OPERATIONAL CAP	1
24	icra yayı	OPERATION ROD	1
25	otomatik kep	BARREL LUG	1
26	piston	PISTON	1
27	NAMLU	BARREL	1
28	metrik 5 vida	5 METRIC SCREW	1
29	AYARLI GEZ	ADJUSTED SIGHT	1
30	arpacık	FRONT SIGHT	1
31	alev gizleyen	MUZZEL BREAK	1
32	metrik 8 somun	8 METRIC NUTS	1
33	metrik 5 vida 15 mm	5 METRIC SCREW [15MM]	1

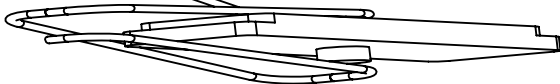
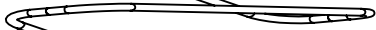
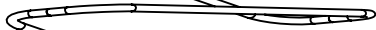
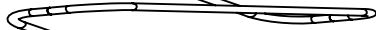
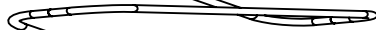
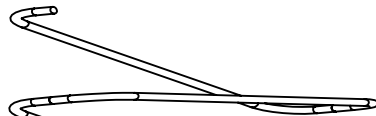
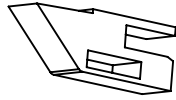
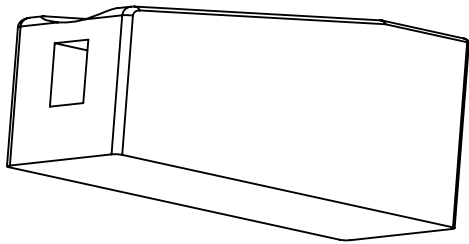
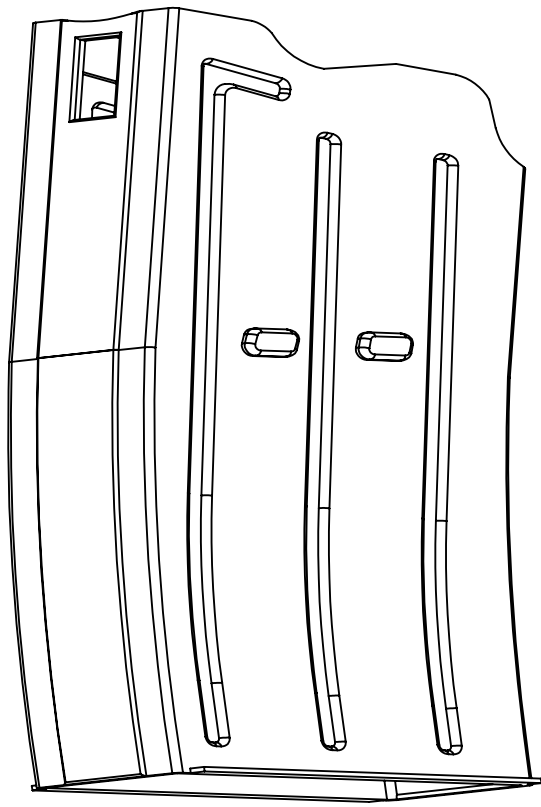


ITEM NO.	DESCRIPTION TR.	DESCRIPTION ENG.	QTY.
1	ALT GÖVDE	LOWER RECIVER	1
2	emniyet mandalı	SAFETY LINK	1
3	emniyet yay kovanı	SAFETY SPRING TUBE	1
4	emniyet yayı	SAFETY SPRING	1
5	fişek rampa tespit mandalı	PIVOT PIN	1
6	fişek rampa yayı	PIVOT DETENT SPRING	1
7	fişek rampası	CARTRIDGE LIFTER	1
8	horoz	HAMMER	1
9	horoz yayı	HAMMER SPRING	1
10	iç emniyet yayı	DISCONNECTOR SPRING	1
11	iç emniyet1	DISCONNECTOR	1
12	kırmızı fosfor	RED FIBER OPTIC	1
13	mekanizma tutucu mandal yayı	BOLT CATHC SPRING	1
14	şarjör çıkarma mandalı	MAGAZINE CATHC BUTTON	1
15	şarjör mandal vidası	MAGAZINE CATHC SCREW	1
16	şarjör mandal yayı	MAGAZINE CATCH SPRING	1
17	şarjör tutucu	MAGAZINE CATCH	1
18	beyaz fosfor	WHITE FIBER OPTIC	1
19	tetik1	TRIGGER	1
20	3 mm bilya	3MM BALL	1
21	metrik 5 setskur vida	5 METRIC SCREW	1
22	mmekenizma tutucu	BOLT CATHC	1
23	mmekenizma tutucu mandal	BOLT CATHC HANDLE	1
24	4 mm pim	4MM PIN	2
25	lama	METAL LAMA	1
26	metrik 8 vida	8 METRIC SCREW	1
27	3 lük pim	3MM PIN	1
28	metrik 3 vida	3 METRIC SCREW	1





ITEM NO.	DESCRIPTION TR.	DESCRIPTION ENG.	QTY.
1	dipçik1	STOCK	1
2	teleskop	6 POSITION BUFFER TUBE	1
3	yükseklik ayar aprt	ADJUSTABLE CHEEK	1
4	metrik 5 vida	5 METRIC SCREW	1
5	metrik 5 tırtırlı somun	5 METRIC NUTS	1
6	makalit	RECOIL PAD	1
7	teleskp çıkarma mandal	BUTTSTOCK ADJUSTMENT LEVER	1
8	teleskopik mandal kilit pimi	BUTTSTOCK ADJUSTMENT LEVER PIN	1
9	teleskopik mandal yayı	BUTTSTOCK ADJUSTMENT LEVER SPRING	1
10	teleskopik mandalı pimi	BUTTSTOCK ADJUSTMENT LEVER PIN	1
11	bakalit vidası	RECOIL PAD SCREW	1
12	kabze kilit yayı	SCREW	1
13	kabze kilit	SPRING	1
14	metrik 5 somun	5 METRIC NUTS	1



ITEM NO.	PART NUMBER	DESCRIPTION	QTY.
1	řarjör gerdeli		1
2	řARJOR YAY KAPAGI		1
3	řARJOR ALT KAPAK		1
4	řarjör yayı2.SLDPRT		1
5	Parça1		1
6	2,5mm pim		1
7	yay8		1
8	řARJOR		1

## USAGE OF MULTI CHOKE

The purpose of multi(internal) choke is to make barrel's tip narrowed down to shoot far and more collectively or to enlarge barrel's tip to shoot more wider groupment for small shoots. To change or clean the internal choke, proceed as follows:

1) Unscrew the internal choke using the special choke wrench supplied with the shotgun and extract it completely from the barrel seat .

2) If the threaded seat of the choke on the barrel is too dirty, clean it.

3) Reassemble on the barrel seat the kind of choke required, taking care to insert the nonthreaded part inside the barrel, before screwing the choke on the barrel's thread .

NOTE: when choke is correctly mounted, it must not protrude from the barrel's muzzle.

4) Finish the assembly of the choke by screwing it firmly using the choke wrench .

NOTE: before re-using the shotgun, make sure that the choke wrench has been removed from the barrel's muzzle.

Before the shotgun is put away, cleaning the internal choke and relative barrel thread is recommended.

### **WARNING!!!**

**Do not use choke values 1-2-3 with slugs , single projectiles. Do not use choke 1 or 2 with steel shot.**

### **WARNING!!!**

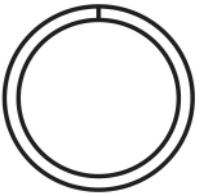
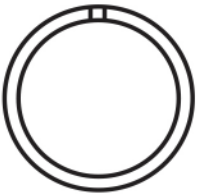
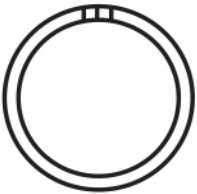
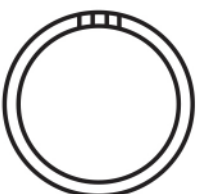
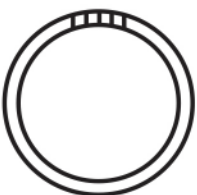
**Never shoot steel shot with a full or improved modified cylinder or skeet chokes (marked 3-4-5 cuts respectively).**

**Do not use full,improved modified and modified (marked 1-2-3 cuts ) with slugs, single bullets or single projectiles.**

**Never use cartridge with a case longer than the chamber, as this would have serious consequences for bolt the gun and the shooter.Do not use 3 ½'' cartridges (super magnum) in this shotgun.**

**Never shot without the choke tube fitted on the barrel.**

## CHOKE TYPES AND BENEFICIAL USAGE

CHOKE TYPE	SYMBOL	GAME	PELLET SIZE	USEFUL SHOOTING DISTANCE
* 1 FULL		Goose, Duck, Wood Grouse. For long range hunting with lead shot and tight groups	1-2-3	50-60 Metres
** 2 IMPROVED MODIFIED		Duck, Pheasant, Wood Grouse, Rabbit	4-5-6	41-44 Metres
*** 3 MODIFIED		Partridge, Pheasant, Quail, Pigeons, Woodcock For long range hunting with lead shot and tight groups.	5-6-7-8	31-41 Metres
**** 4 IMPROVED CYLINDER		Quail, Dove and target shooting For shooter distance more open shooting	7-8 9-10-11-12	30-35 Metres
***** 5 CYLINDER		For sporting clay and skeet shooting. Short distances more open shooting.	7-8 9-10-11-12	20-30 Metres

## **PARTS**

To order parts, please furnish the following information: Your name, address, telephone number, firearm serial number, maker and model. When we receive your request we will send you an order form and a parts breakdown with prices.

## **MAINTENANCE AND CLEANING**

**LUBRICATION WARNING:** Firing a shotgun with oil, grease, or other debris partially obstructing the bore may result in damage to the firearm or injury to the shooter and those nearby. Before firing make sure the bore and chamber of the barrel is unobstructed and dry. Never spray or apply lubricant on shotshells. Firing another shotshell behind an obstruction may damage the shotgun and cause death or injury. Only use lubricants properly and sparingly. You are responsible for the proper care and maintenance of your shotgun.

1. Disassemble your shotgun.
2. Using a proper cleaning rod, run a solvent-wetted patch through the bore several times. This will then be followed by running dry patches through the bore to remove any debris or residue.
3. If the bore is leaded to the extent that the above patch cleaning procedure did not remove the lead, then scrub the bore full length with a solvent-wetted brass bristle brush. When the leading is loose then repeat step #2.
4. The surfaces of bolt carrier, ejector, and inside surfaces of the receiver should be coated very lightly with non-penetrating lubricating oil.
5. Reassemble the shotgun and wipe the exterior metal surfaces sparingly with an oiled cloth. Swab the bore with an oily patch before storing the firearm.
6. Place the shotgun in a safe, locked storage space where unauthorized persons cannot access the firearm. Never store the shotgun in a leather case as leather attracts moisture even though it may appear dry.
7. Never fire your gun without choke tubes snugly tightened in barrels. Do not over tighten choke tubes. Wipe all exposed metal surfaces with an oiled cloth before storing. Do not squirt or pour oil into the inside mechanism because it may cause deformation.

## **SHIPPING**

When returning your gun for service, please take care in packaging. Disassemble your gun, wrap in paper or other protective media and place gun in the original box. (THIS BOX WILL PROTECT THE GUN BUT IS NOT DESIGNED FOR SHIPPING). Wrap box in a cardboard box approved for interstate shipping. KRC AV Enerji İth. İhr. Geri Dön. San. Tic. Ltd. Şti. is not responsible for damage incurred during shipping.

## **THANK YOU**

Thank you for purchasing a KIRICI shotgun. We are sure this gun will bring you years of hunting and/or shooting pleasure. Your satisfaction is the key to our success. Please let us know if we can be of service and please relay any observations about your guns performance or appearance. For your questions and comments please visit:

[www.krcav.com](http://www.krcav.com)

## **SERVICE AGREEMENT AND LIMITED WARRANTY**

KRC AV Enerji İth. İhr. Geri Dön. San. Tic. Ltd. Şti. agrees to service its products free of charge for defects in materials and workmanship in accordance with the service agreement listed below. The obligation of KRC AV Enerji İth. İhr. Geri Dön. San. Tic. Ltd. Şti. under this agreement is limited to the repair or replacement of unserviceable parts and does not cover any incidental or consequential damages. Other than the express warranty contained herein KRC AV Enerji İth. İhr. Geri Dön. San. Tic. Ltd. Şti. makes no warranties, express or implied.

KRC AV Enerji İth. İhr. Geri Dön. San. Tic. Ltd. Şti. will repair or replace any unserviceable part(s) for two (2) year from date of purchase and further will supply free parts (Wood not included) for an additional two (2) years in accordance with the above warranty statement provided your firearm had not been altered, abused, willfully damaged, or damaged by overpressure ammunition. This agreement is not transferable; its benefits apply only to the original purchaser.

To obtain free service during the time this agreement is in effect, make sure your firearm is unloaded, and send it to KRC AV Enerji İth. İhr. Geri Dön. San. Tic. Ltd. Şti.

This agreement and the warranties contained herein are void if your registration card is not received with a copy of your sales slip within 30 days from date of purchase



## WARANTY CARD

NAME OF PURCHASER:.....

ADRESS OF PRUCHASER:.....

CITY:..... STATE:..... ZIPCODE:.....

MOBILE PHONE:.....

PURCHASE DATE:.....

PRODUCT MODEL/NUMBER:.....

GAUGE:..... SERIAL NUMBER:.....

PURCHASE PRICE:.....

STORE NAME:.....

SIGNATURE:.....

KRC AV Enerji İth. İhr. Geri Dön. San. Tic. Ltd. Şti

**SIGN AND STAMP OF DEALER**



**“A true hunter, is he who has a deep respect for the game, abides by all laws and practice proper game management.”**

**“Hunting it’s more than a hobby, hunting it’s a lifestyle. It keeps the population of any game animal at a healthy rate. It prevent starvation and orver-population.”**



**KIRICI**  
For the hunter inside you

KRC AV ENERJI İTH. İHR. GERİ DÖN SAN. TİC. LTD. STİ.

Üzümlü Mah. Tuztaşı Sk. no.40 Beyşehir / Konya

Tel/Fax: +903325246898

Email:info@krcav.com

www.krcav.com